

SEON

Dome Camera CQ Series Quick Installation Guide



© Seon Design Inc. | March 2012 | All rights reserved.
www.seon.com Part Number: 700-0125 R004



Installation Kit Contents

- 1 CQ Series camera, including dome, gasket, connector cable
- 1 Local Video Connector cable (1/8" plug to RCA jack)
- 2 #10 1" screws with washers
- 1 Security key
- 1 Quick Installation Guide
- 1 Mounting template

1. Choose Camera Location

Determine the location for mounting the camera. Cameras are usually installed with the cabling running inside the wall panels. If surface cabling is required, see Surface Cabling Instructions, in the Troubleshooting section of this guide.



CAUTION: Equipment Damage

Failure to remove the breakaway panel from the base of the CQ camera during surface cable installation will damage the camera cable.

2. Connect the Camera

1. Connect the camera cable to the extension cable. See Figure 2.
2. Connect the extension cable's 2x3 Micro-Fit connector into a digital video recorder (DVR).

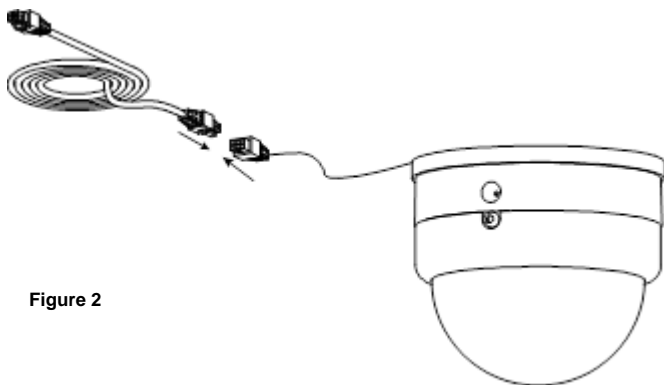
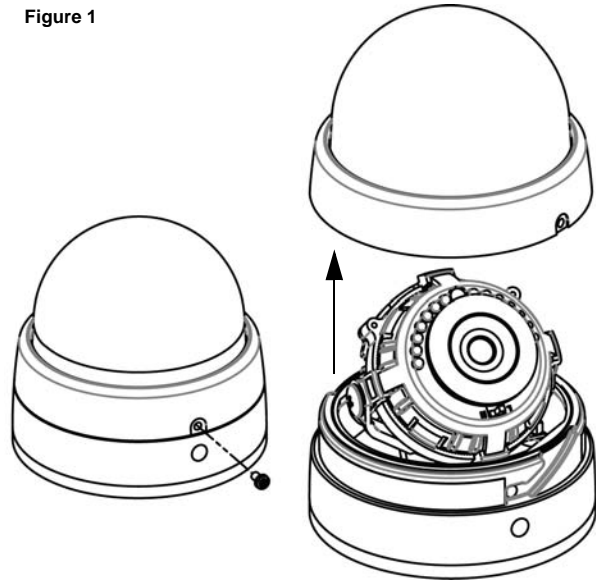


Figure 2

3. Open the Camera

1. Using the security key supplied with the camera, remove the locking screw from the bezel. See Figure 1.
2. Turn the bezel and dome counter-clockwise to release it from the base.
3. Pull the bezel and dome up and away from the base.

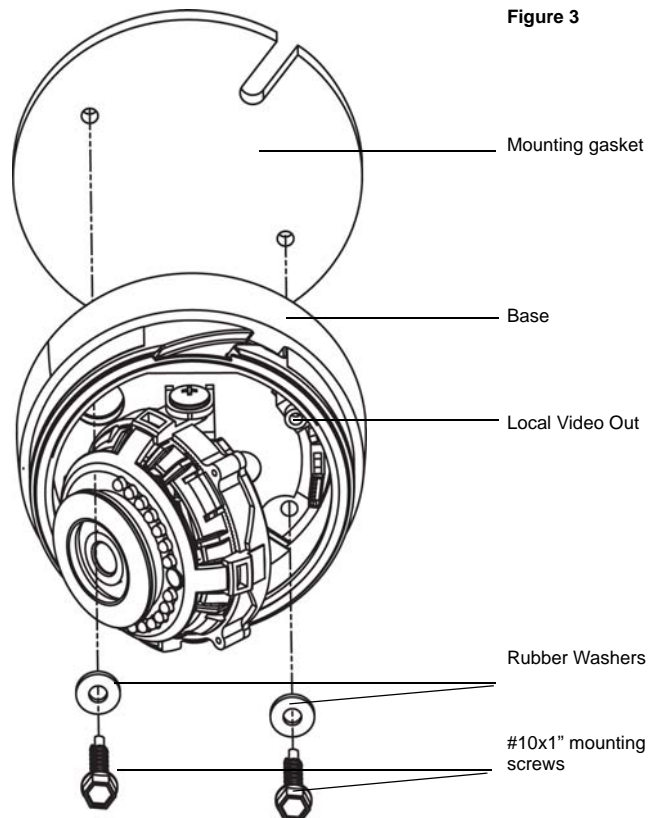
Figure 1



4. Install the Camera

Use the two #10x1" mounting screws and the two rubber washers supplied with the camera to attach the camera to a wall or ceiling. See Figure 3.

Figure 3



5. Connect Local Video Out

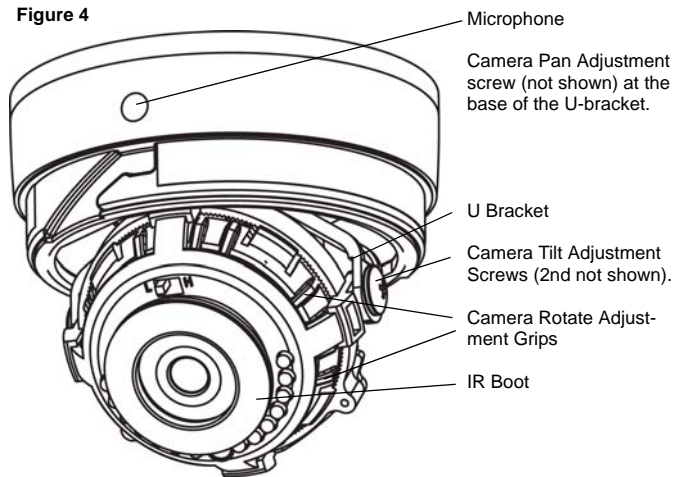
1. Connect the supplied 1/8" plug to RCA jack cable to the Local Video Out socket, shown in Figure 3.
2. Connect the cable to a video monitor to see the camera's line of view while aiming the camera's pan tilt and rotate positions.

The infrared LEDs have a five second lag when turning on or off.

6. Aim the Camera

- To get the required video image, adjust the camera's pan, tilt, and rotate settings using the adjustment controls shown in Figure 4.

Figure 4

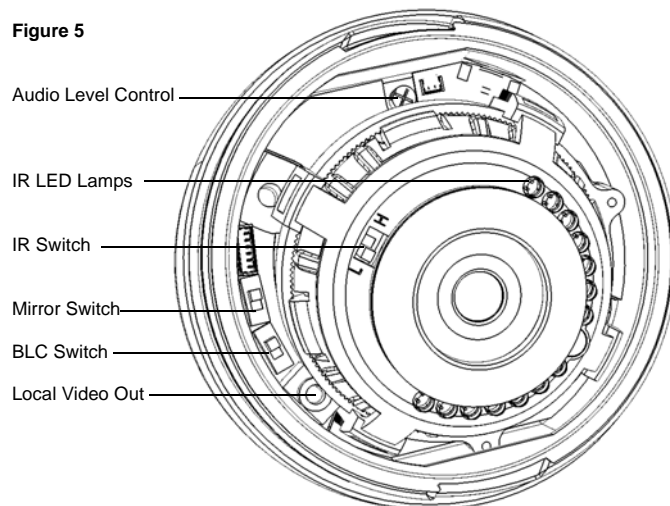


- Tighten all screws after adjustments are complete. Do not adjust after tightening screws.

7. Configuration Settings

For configuration switch locations, see Figure 5.

Figure 5



Audio Level (Adjust only if necessary)	<ul style="list-style-type: none"> Clockwise: decrease volume level. Counter clockwise: increase volume level.
IR Levels	<ul style="list-style-type: none"> High IR: (default) use for cameras set up to view long range. For example: aisle camera. Low IR: use for cameras set up to view close range. For example: doorway camera.
Mirror Image Setting	<ul style="list-style-type: none"> Mirror OFF: (default) camera image appears as normal. Mirror ON: camera image displays as seen through a mirror.
Backlight Compensation	<ul style="list-style-type: none"> BLC OFF: (default) shutter speed is based on the light level of the entire image. BLC ON: shutter speed is based on the light levels near the center of the image. This can improve image quality when backlight is strong.

8. Replace Camera Dome

- Fit the bezel and dome onto the base.
- Turn the bezel clockwise until it snaps into place.
- Ensure the rubber IR boot around the camera lens is firmly pressed against the inside of the dome.
- Use the security key to tighten the locking screw.

Troubleshooting

Surface Cabling Instructions



CAUTION: Equipment Damage

Failure to remove the breakaway panel from the base of the CQ camera during surface mount installation will damage the camera cable.

- Use sturdy wire cutters to cut each side of the breakaway panel in the camera base. See Figure 6.
- Use pliers to bend and remove the breakaway panel.
- Use a file to smooth any rough edges that could damage the cable.

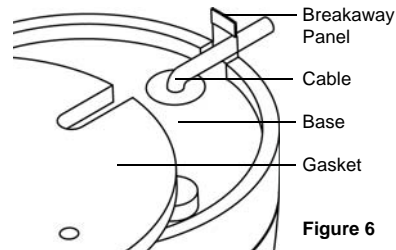


Figure 6

Replacing a Damaged Dome

- If the camera dome is damaged or scratched, order a replacement dome from your camera distributor.
- To remove and replace the dome follow the steps in **3 Open the Camera** and **8 Replace Camera Dome**.

Specifications

Power Consumption	1.3 W (IR off); 2.7 W
Operating Voltage Range	11 to 17 VDC (powered by DVR)
Operating Temperature Range	-4 to 140°F (-20 to 60°C)
Horizontal resolution	520 TV Lines
Infrared LED Lamps	14 high efficiency LEDs
Minimum Illumination	0.1 lux at F1.2 (B&W, D/N), 0 lux (IR on)
Enclosure Size	Diameter: 3.75" (95 mm) Height: 3.4" (86 mm)
Enclosure Material	Solid aluminum alloy
Dome	Impact-resistant polycarbonate, anti-glare, scratch-resistant hard coating, UV protected
Connector Cable Length	9.5" (24 cm)
Local Video Out Cable	1/8" (3.5mm) plug to RCA jack
Weight	0.9 lbs (0.4 kg)

Routine Maintenance

Most liquid cleaners or graffiti gel can be used to clean your camera enclosure. Do not use abrasive cleaners that can scratch the window and reduce visibility of the camera.

If the window in your camera is damaged or scratched beyond use, order a replacement window from your camera distributor.

Service and Warranty

If your CQ Series Dome Camera is to be returned to Seon Design for service, please call toll free 1-877-630-7366, or 604-941-0880, and provide the model and/or serial number of your unit. Ask for a Return Authorization (RA) number. An RA number allows the Service Technicians to better track your product when it comes in for service. Please show the RA number on the outside of the package.

ANY PRODUCT SENT TO SEON DESIGN WITHOUT AN RA NUMBER MAY BE REFUSED.

Please refer to the Warranty form provided with your product to review the terms of warranty service, contact and shipping information, as well as other important issues regarding the service and operation of your product. Information in this guide is subject to change without notice.