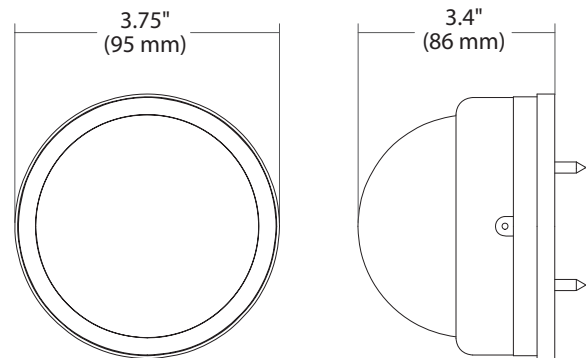


Technical Specifications CQ IR Dome Series

Compact and vandal-resistant, Seon's CQ Dome camera is designed to meet the specific needs of mobile applications. The flexibility of the CQ allows for the easy adjustment of the camera lens to include different parts of the bus. The CQ Dome includes infrared LEDs, which allows the cameras to see in total darkness. This camera also provides color images in normal lighting, and switches to black and white in low-light conditions.



- Features a high resolution 520 TVL day/night sensor for sharp images day and night.
- Performs with a variety of lens: 2.9, 3.6, 6.0, 8.0, 12.0, 16.0 mm for wide angle to telephoto coverage.
- Provides a local video out connector for quick setup of field of view and focus of the camera.
- Includes infrared LEDs with two levels of intensity for improved night vision.
- Back light compensation (BLC) for improved image quality in strongly backlit conditions.
- Includes a high fidelity microphone to enable audio recording.
- Delivers a robust metal housing to increase vandal-resistance.



Specifications

CQ8 IR Dome	
Horizontal Resolution	520 TV Lines
Signal/Noise Ratio	>50 dB (AGC off)
IR	14 high efficiency LEDs
Minimum Illumination	0.1 lux at F1.2 (B&W, D/N), 0 lux (IR on)
Audio	
Microphone	High-quality, mechanically isolated
Frequency Response	300 Hz to 5 kHz (filtered to improve voice response)
Audio Output	Line level
Electrical	
Power Consumption	1.3 W (IR off); 2.7 W (IR on)
Voltage Range	11 to 17 VDC (powered by DVR)
Transient Protection	1.5 kW
Minimum Load	600 ohm
Mechanical/General	
Enclosure Material	Solid aluminum alloy
Dome	Impact-resistant polycarbonate, anti-glare, scratch-resistant hard coating, UV protected
Dimensions	Height 3.4" (86 mm); dome diameter 3.75" (95 mm)
Weight	0.9 lbs (0.4 kg)
Environmental	
Environmental Rating	Indoor IP54
Operating Temperature	-4 to 140°F (-20 to 60°C)

Available Lenses					
Code	Size (mm)	F-stop	Viewing Angle (v)	Viewing Angle (h)	
03	2.9	2.0	72°	96°	
04	3.6	1.6	56°	74°	
06	6.0	2.0	32°	42°	
08	8.0	2.0	24°	32°	
12	12.0	2.0	17°	22°	
16	16.0	2.0	11°	15°	

How to order

Camera Style	←	CQ806A06	→	Cable Lengths
Q – Integrated IR Dome				(Micro-Fit connectors)
Sensor Type				Blank – No Cable
8 – High Res 520 TVL Day/Night				20 – 20 ft.
Lens Options				50 – 50 ft.
03 – 2.9 mm	←			75 – 75 ft.
04 – 3.6 mm				06 – 6 ft.
06 – 6 mm				
08 – 8 mm				→ Audio
12 – 12 mm				A – Audio
16 – 16 mm				