

Explorer™ MX4 Basic and Plus Mobile DVR Installation and Quick Configuration Guide

The MX4 DVR is secured with a locking front cover and a cable cover. Two cable grommets (and two knockouts) on the cable cover allow for wiring to enter from the left side, right side or back of the unit. The DVR can be installed in a horizontal or vertical installation.

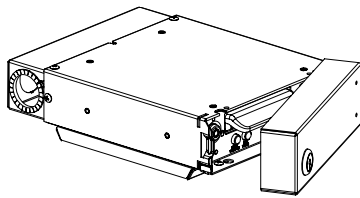
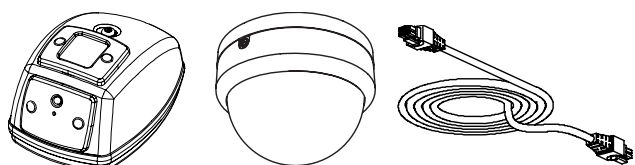
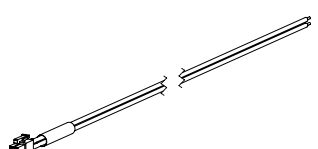
Check that you have all the system components and inspect the units for any scratches or damage before installing.

You will need these materials to complete the installation:


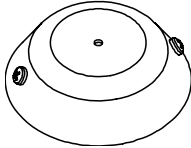
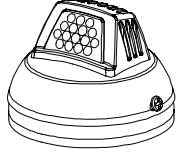
- DVR keys for securing the removable hard drive
- Front cover keys for securing the removable front cover
- # 2, Phillips screw driver for 6-32 x 3/16 screws

Package Contents (typical) for MX4 Basic

The contents of a typical basic installation package are listed below. The actual contents of your installation package may vary, depending on the options selected.

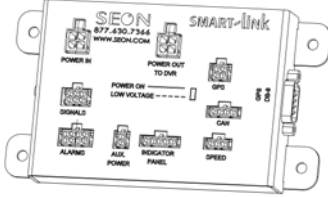
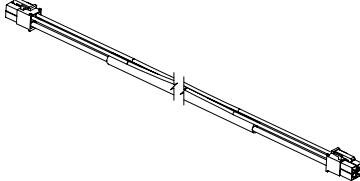
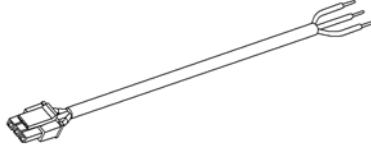
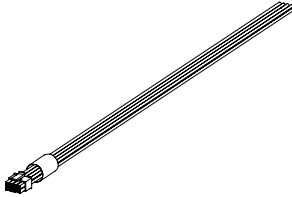
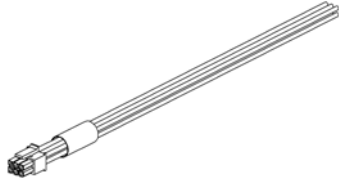
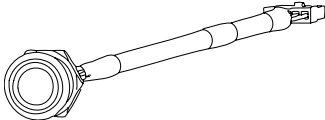
| | | |
|---|---|--|
| <p>Explorer MX4 DVR with locking front cover and cable cover, media cartridge, and mounting plate</p>  | <p>Cameras (up to 4) and extension cable</p>  | <p>Ignition harness wire</p>  |
|---|---|--|

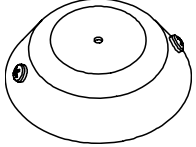
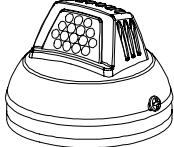
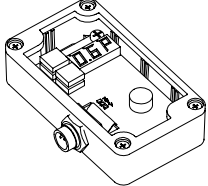
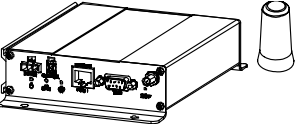
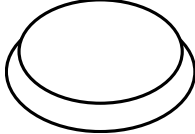
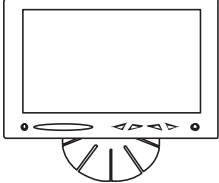
Installation and Quick Configuration Guide

| | | |
|---|--|--|
| <p>Alarm button and cable</p>  | <p>Remote microphone (optional)</p>  | <p>IR Illuminator (optional)</p>  |
|---|--|--|

Package Contents (typical) for MX4 Plus

The additional items for a typical Plus installation package are shown below. The actual contents of your installation package may vary, depending on the options selected.

| | | |
|---|---|---|
| <p>Smart-Link™ module for signal interfaces</p>  | <p>Smart-Link-to-DVR connection harness (identical connectors)</p>  | <p>Speed cable</p>  |
| <p>Alarm input harness</p>  | <p>Signal harness</p>  | <p>Diagnostic indicator/Alarm button</p>  |

| | | |
|---|---|--|
| <p>Remote microphone (optional)</p>  | <p>IR Illuminator (optional)</p>  | <p>Inertia sensor (optional)</p>  |
| <p>Smart-Reach™ Mobile (optional)</p>  | <p>GPS receiver (optional)</p>  | <p>LCD monitor</p>  |

Installation Diagrams

For installing the typical MX4 Basic system, see Figure 1, “Typical MX4 Basic System” on page 4.

For installing the typical MX4 Plus system, see Figure 2, “Typical MX4 Plus System” on page 5.

Installation and Quick Configuration Guide

Explorer® MX4
Typical Basic System Setup

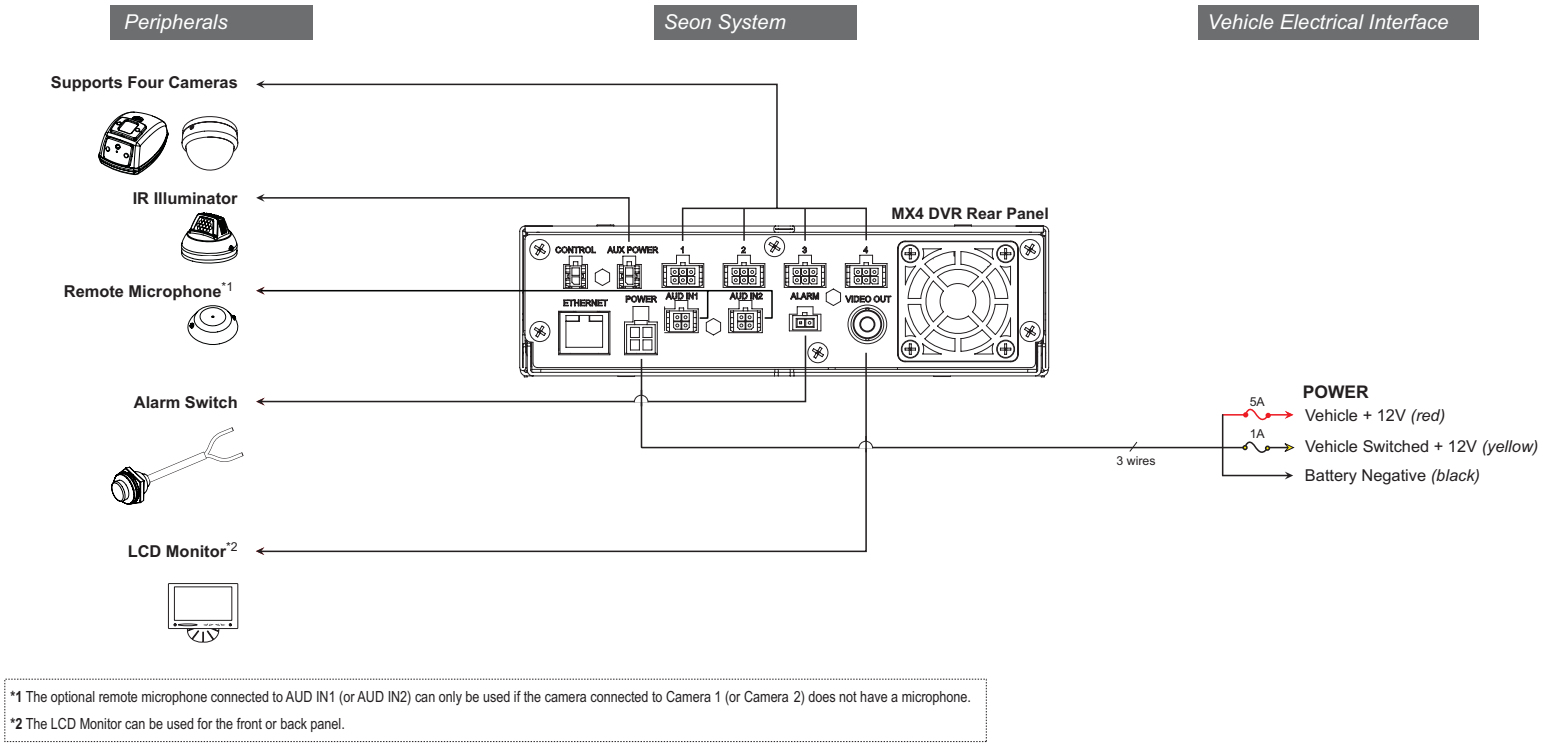
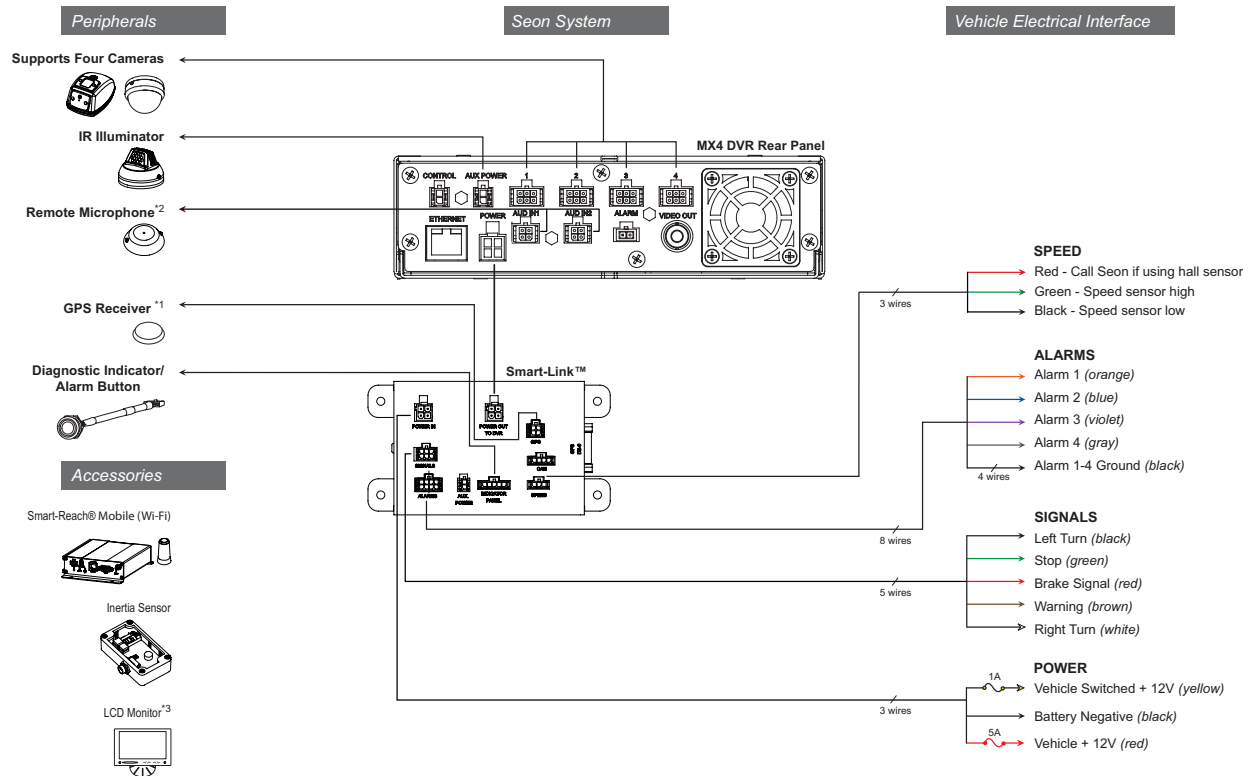


Figure 1 Typical MX4 Basic System

Explorer® MX4
Typical Plus System Setup



^{*1} For speed tracking, use a GPS receiver or speed sensor. For ease of installation and better speed tracking, Seon recommends using a GPS receiver.
^{*2} The optional remote microphone connected to AUD IN1 (or AUD IN2) can only be used if the camera connected to Camera 1 (or Camera 2) does not have a microphone.
^{*3} The LCD Monitor can be used for the front or back panel.

Part Number 700-0085 R001

Figure 2 Typical MX4 Plus System

Installation

DVR Installation

The DVR typically ships with the locking front cover on and the mounting plate and cable cover off.

To install the MX4 DVR:

- 1 Select an appropriate mounting location and orientation, horizontal or vertical. For the dimensions and location of the mounting holes, see Figure 6 “MX4 Dimensions” on page 11.
- 2 Unlock the door lock and remove the front cover from the unit to access the front panel. Verify there is a media cartridge inside the DVR.
- 3 Determine where the wiring and camera cables will enter the unit: on the left side, right side or back.
- 4 Remove the necessary knockout (s), insert plugs and cable grommets.

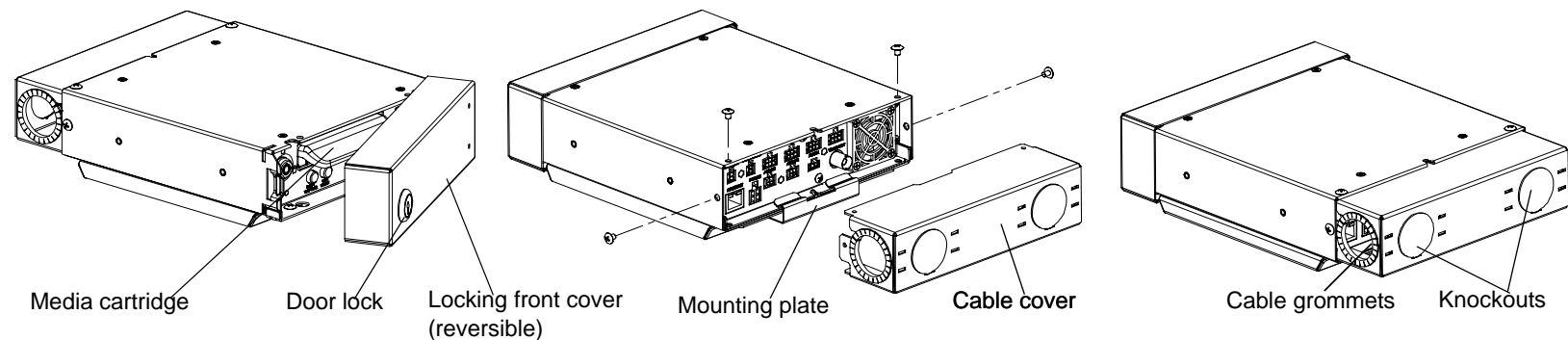


Figure 3 MX4 DVR components

- 5 Use the mounting plate to mark the desired position of the DVR and drill the four mounting holes. The flange secures to front of the DVR, the tray spring tab attaches to rear.
- 6 Fasten the mounting plate to the mounting surface with the four #10 × ¾ sheet metal screws or #10 × 1" self-drilling screws.
- 7 Secure the DVR to the mounting plate with the two screws.
- 8 Connect the necessary components.

Camera Installation

Install the cameras according to the documentation that shipped with the product.



CAUTION

Route the wiring and cables away from sharp edges that might damage the insulation. Avoid sharp bends in the cable.

Feed the cable through one of the large cable grommets one at a time, or cut the grommet at the top and slide the cables into the grommet.

MX4 Basic: Alarm Button Installation

To install the alarm button:

- 1 Mount the alarm button into a ½" hole, and attach to the alarm input harness using the butt splice connectors.
- 2 Attach the black wire of the alarm button to the black wire of the alarm input harness.
- 3 Attach the blue wire of the alarm button to the red wire in the alarm input harness.
- 4 Connect the alarm input connector to ALARM INPUT on the DVR.

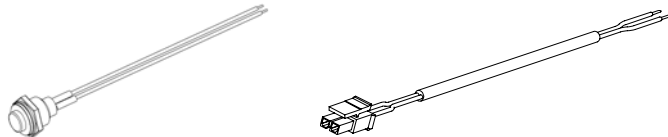


Figure 4 Alarm Button and Alarm Input Harness

MX4 Plus: Smart-Link™ Installation

Important:

- Choose a dry location with easy access to the electrical panel and cable connections to mount the Smart-Link.
 - Always use the supplied fuses to provide over-current protection on the system wiring. The harness kit includes two fuses for the two 12V lines required to complete this installation.
-

To mount the Smart-Link:

- 1 Mount the Smart-Link using the four #10 × ¾" sheet metal screws or the four #10 × ¾" self-drilling screws. See Figure 5.

- 2 Connect the constant, switched 12 volt lines and grounds wires as shown in Figure 2.
- 3 Connect all other optional items such as speed, GPS, signals, diagnostic, or alarms to Smart-Link.



CAUTION

It is recommended to connect the constant power and ground wires as close to the battery as possible. Ensure the connections are safe and secure to reduce potential corrosion or premature wear out which may compromise performance.

Diagnostic Indicator/Alarm button Installation

Pressing the alarm button of the diagnostic indicator/alarm button causes an alarm event to be recorded by the DVR.

To install the diagnostic indicator/alarm button:

- 1 Determine proper location before drilling mounting holes.
- 2 Drill a 3/4" hole in the desired location. Ensure that the area behind the hole is clear of obstructions before drilling.
- 3 Remove the mounting nut from the diagnostic indicator/alarm button.
- 4 If you have purchased the video recording label, install the label between the button and the dashboard.
- 5 Feed the connector and cable through the mounting hole and reattach the nut.

The button corresponds to Alarm 1 on the Smart-Link alarm harness. The indicator ring shows the DVR status. See Table 1.

Table 1 Diagnostic indicator/alarm button ring color

| Ring Color | Function |
|----------------|---|
| No green light | No power to the DVR, or ignition is not on. |
| Flashing green | The DVR is powered up, but not recording. |
| Solid green | The DVR is powered up and recording. |

Hardware Installation Final Checklist

Harnesses (Camera, recorder, and accessories)

- Check that the cables and harnesses are properly secured.
- Check that sharp metal edges are not touching the cables or harnesses.
- Check that the connections are solid (no shorts).

Cameras

- Check for tight mount.
- Check the internal harness connections.
- Check that the lid is properly seated on the gasket and secured tightly.
- Check camera (s) field of view.

DVR

- Check for tight mounting of hardware.
- Confirm that the cable grommet is properly installed.
- Check that all connections are tight.

System

- Install the fuses.
- Plug the video monitor into the DVR and power up the system.
- Confirm that all the cameras and audio sources are operating properly.
- Confirm that all the status indicators react properly: LAN, HDD, PWR, TEMP, VOLTAGE.
- Switch to temporary power by pressing the front panel **STOP/TEMP POWER** button with vehicle ignition turned OFF.
- Test audio/video record and test audio/video playback.
- Configure the menus via the remote control or trackball mouse, or Web-based configuration per the end-user specifications. See *Explorer MX4 Mobile DVR System User Guide* (document part number 700-0075).
- Fasten and lock the front cover. Fasten the cable cover on the unit using the screws provided.

Accessories

- GPS Receiver Installation – for more information, see the product documentation.
- TR-INR Inertia Sensor – for more information, see the product documentation.
- LDC Monitor – for more information, see the product documentation.
- Smart-Reach Wireless Network – contact your sales representative at Seon Design for wireless network options.
- CAN Network – contact your sales representative at Seon Design to discuss the CAN interface.

Physical Specifications

Important: Specifications are subject to change without notice.

Smart-Link Module

Table 2 Physical Specifications

| | Smart-Link | MX4 |
|---------------------|--|---|
| Weight and Material | 9 oz (255 g), steel, powder coated black paint | 5.3 lb (2.4 kg) including lockbox, steel, powder coated black paint |

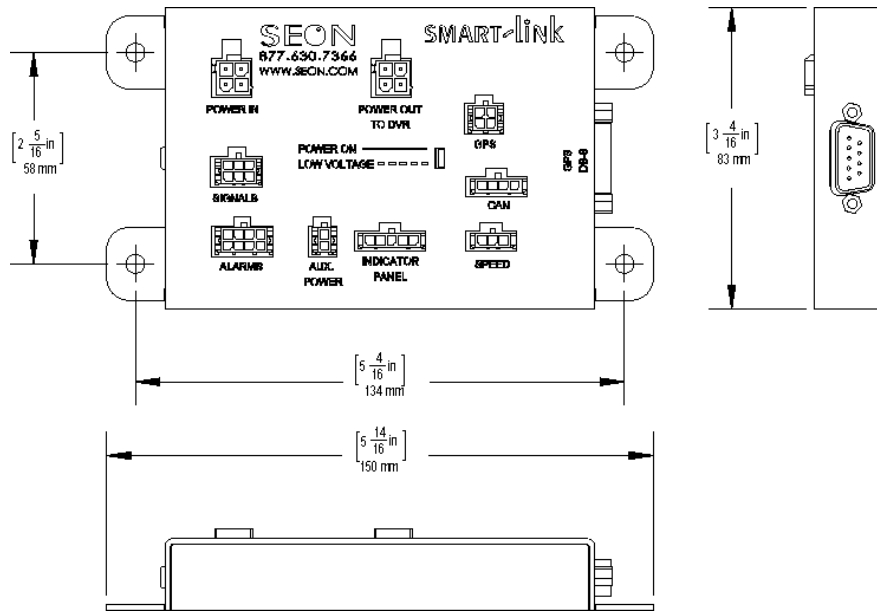


Figure 5 Smart-Link Module

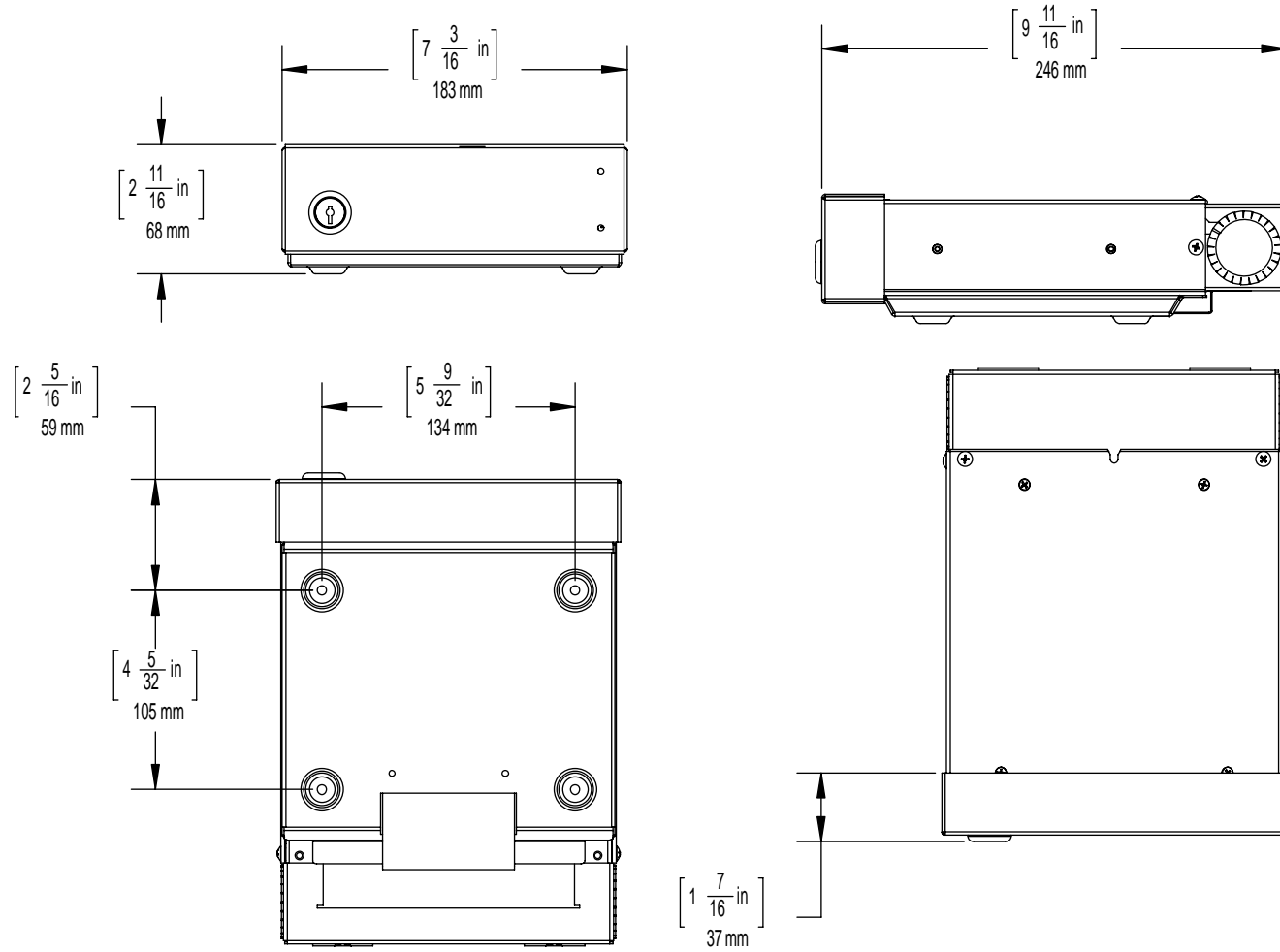


Figure 6 MX4 Dimensions

Configuration

The MX4 can be configured by two methods:

- On Screen Display (OSD) Configuration and Playback

Connect to VIDEO OUT on the MX4 front panel with an LCD monitor and use the trackball pointing device or the remote control to set configuration settings. For more information, see the *Explorer MX4 Basic and Plus Mobile Digital Video Recording System User Guide*, document part number 700-0075.

- Web Browser Configuration and Playback

Web Browser Configuration and Playback uses an Ethernet connection with a laptop. See page 14.

The MX4 Configuration Main Menu shown in Figure 7 applies to the on screen display configuration and to the Web browser configuration.

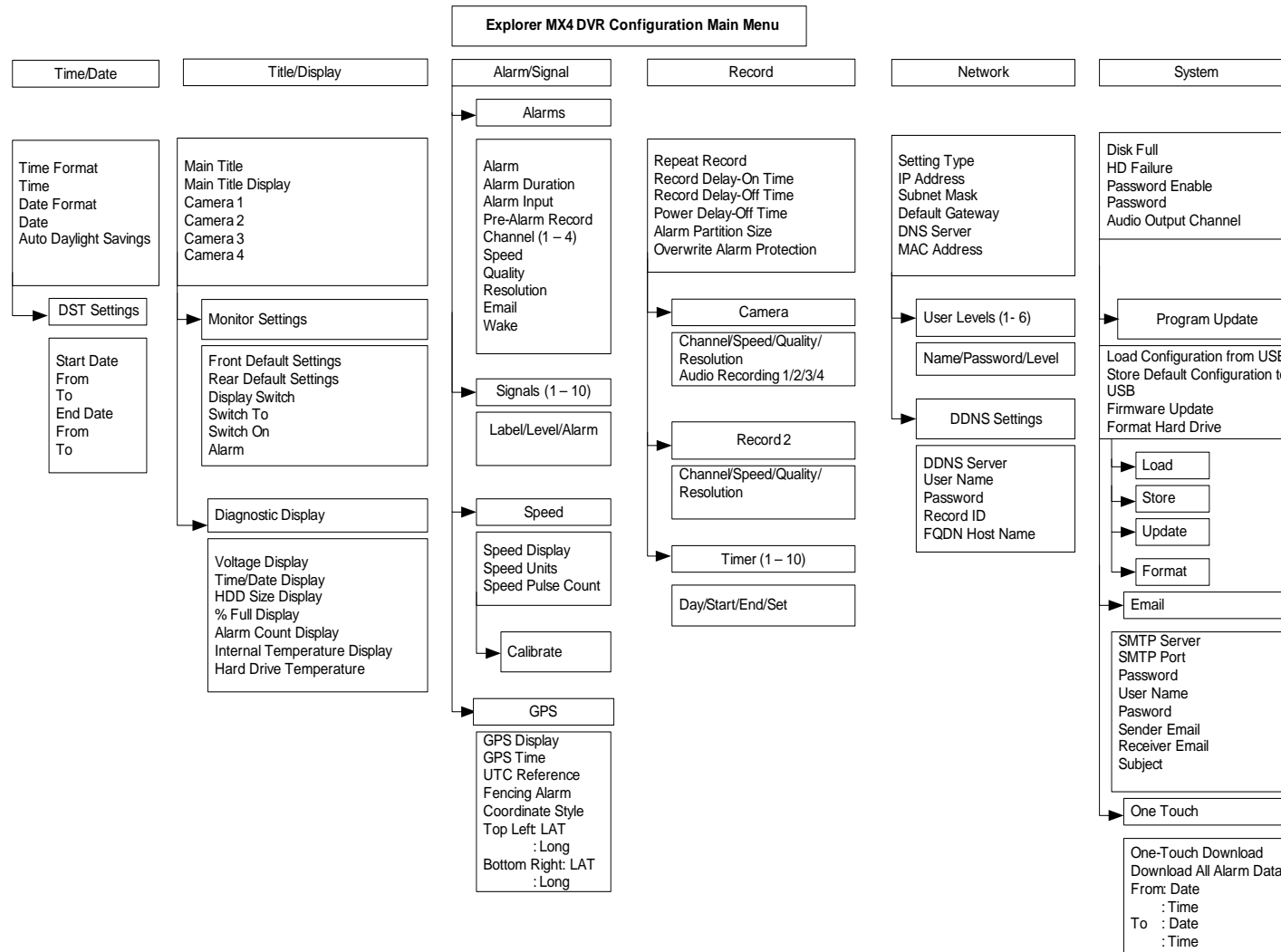


Figure 7 Configuration Main Menu for On Screen Display and Web Browser

Web Browser Configuration and Playback

The MX4 can be managed via the Web browser user interface (Microsoft® Internet Explorer® 7.0 or higher versions required). The DVR and other components in the system should already be installed and configured in order to access the DVR via the Web browser. Connect the PC to the DVR using an RJ-45 cross-over Ethernet cable.

To access the DVR from a PC using Internet Explorer:

- 1 Open Internet Explorer from your PC.
- 2 In the address bar of the Web browser, type in the following information: **http://LAN or IP address of your DVR**. For example, **http://192.168.1.201**. Figure 8 show the logon menu.
- 3 Enter a default User Name and Password to access the Web browser user interface. Click Login or press enter on the keyboard.



Figure 8 Explorer Web Browser User Interface

Customer Service Contact Information

Toll free Tel 1-877-630-7366 or Tel 604-941-0880 Email: service@seon.com

©August 2009. Seon Design Inc. All rights reserved. Printed in Canada www.seon.com