

Service and Warranty

If your SF or SG Series CCTV Camera is to be returned to Seon Design for service, please call toll free 877-630-7366, or 604-524-6437 and ask for a Return Authorization (RA) number. An RA number allows the Service Technicians to better track your product when it comes in for service. Please show the RA number on the outside of the package. ANY PRODUCT SENT TO SEON DESIGN WITHOUT AN RA NUMBER MAY BE REFUSED.

Please refer to the Warranty form provided with your product to review the terms of warranty service, contact and shipping information, as well as other important issues regarding the service and operation of your product.

SEON

SF & SG Series CCTV Cameras

Installation Guide

FCC Statement (U.S.A.)

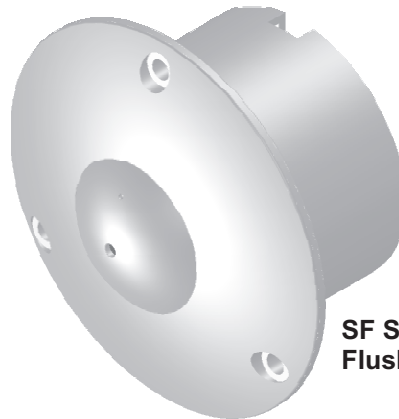
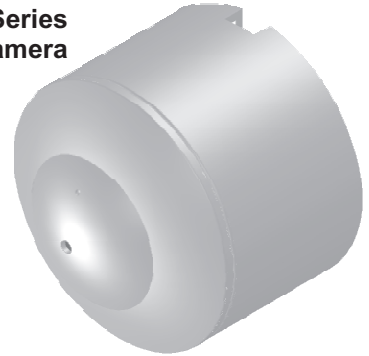
This device complies with **Part 15** of the **FCC Rules**. Operation is subject to the following two conditions: (1) This device may not cause harmful interference, and (2) this device must accept any interference received, including interference that may cause undesired operation.

Industry Canada Notice

This **Class B** digital apparatus meets all requirements of the **Canadian Interference-Causing Equipment Regulations**.

Cet appareil numérique de la **classe B** respecte toutes les exigences du **Règlement sur la matériel brouilleur du Canada**.

SG Series
Surface Mount Camera



SF Series
Flush Mount Camera

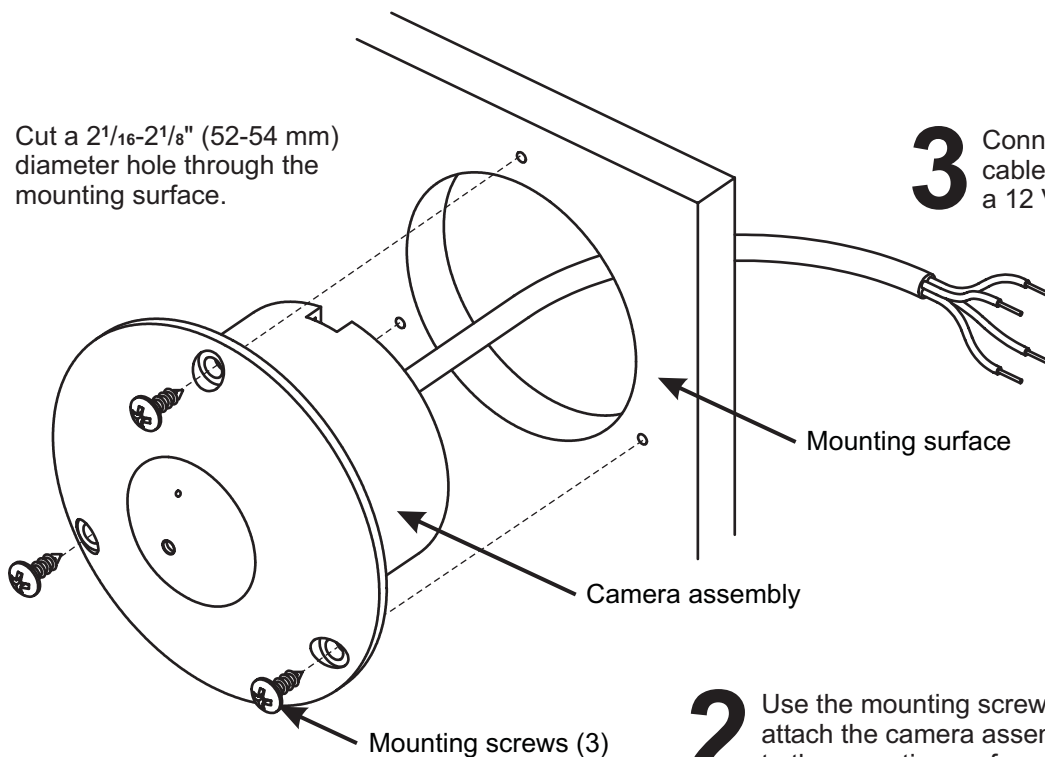
Information in this guide is subject to change without prior notice.

© 2004 Seon Design Inc.
All rights reserved.

www.seon.com
Document Part Number: 700-0012-02

Installing the SF Series Flush Mount Camera

- 1** Cut a 2¹/₁₆-2¹/₈" (52-54 mm) diameter hole through the mounting surface.



- 3** Connect the video/power cable to a video monitor and a 12 VDC power supply.

Video/power cable
Green: Video +
White: Video -
Red: +12 VDC
Black: 0 VDC

- 2** Use the mounting screws to attach the camera assembly to the mounting surface.

Installing the SG Series Surface Mount Camera

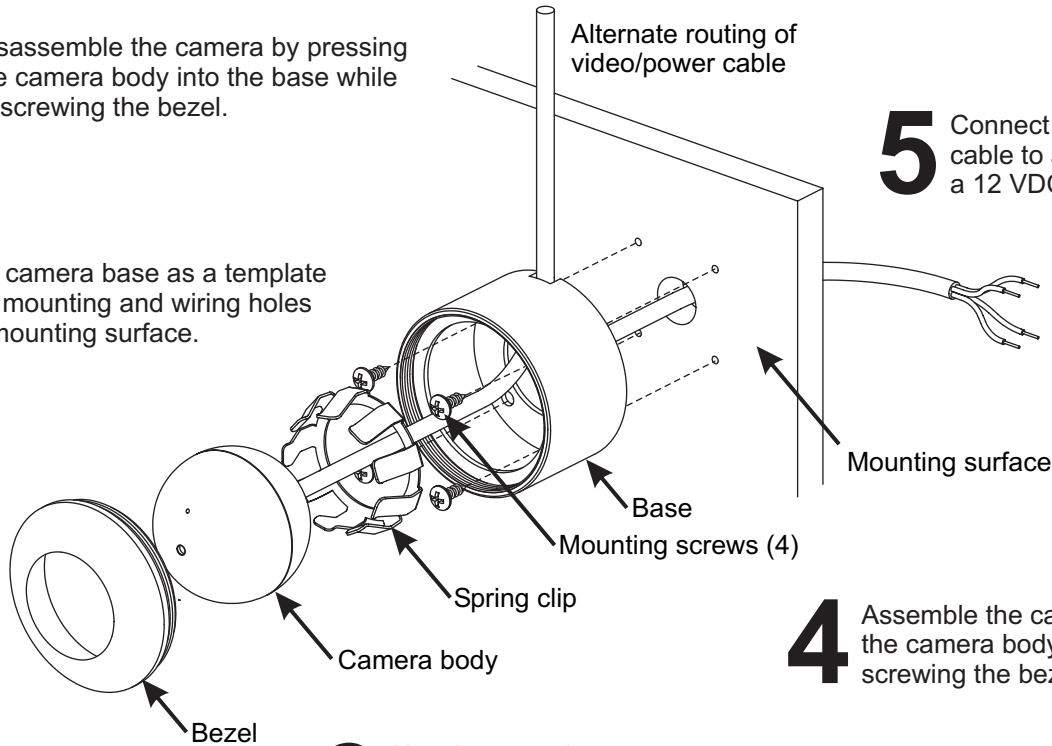
1 Disassemble the camera by pressing the camera body into the base while unscrewing the bezel.

2 Use the camera base as a template to mark mounting and wiring holes on the mounting surface.

3 Use the mounting screws to attach the camera base to the mounting surface.

4 Assemble the camera by pressing the camera body into the base while screwing the bezel into the base.

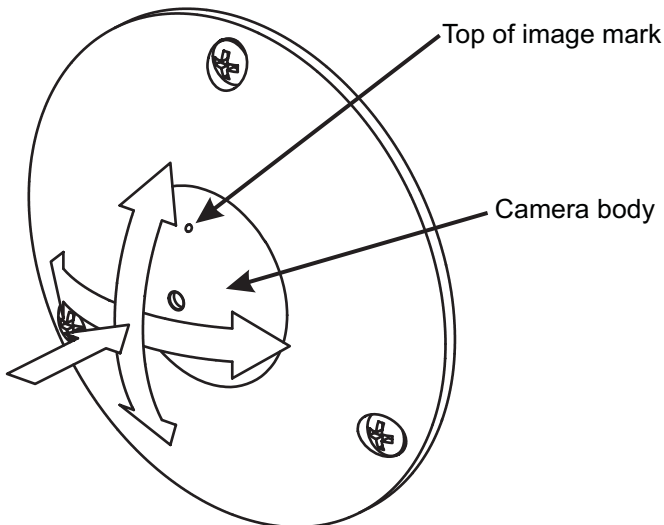
5 Connect the video/power cable to a video monitor and a 12 VDC power supply.



Aiming the Camera

1 Make sure the camera is connected to a video monitor and a 12 VDC power supply.

2 Use your thumb to press on the camera body and rotate it to get the image you want to see on the video monitor.



Specifications

Power:

Input voltage 12 VDC $\pm 10\%$
 Power consumption 1.44W, 100 mA

Video Signal:

Video output 75 Ω , 1 V_{p-p}
 Color video signal NTSC

Video Image:

Imager Sony 1/3" CCD
 Camera lens Pin hole lens, f3.7 mm/F2.0
 Picture elements 510 \times 492 (H \times V)
 Horizontal resolution 380 TV lines
 Minimum illumination 0.4 LUX @ F2.0
 S/N ratio More than 48 dB
 Automatic gain control Built-in
 Automatic electronic shutter 1/60 to 1/100,000 seconds
 Automatic white balance Color temperature: 2500°K to 9500°K
 Gamma characteristic 0.45

Environment:

Operating temperature 14 to 122°F, -10 to 50°C
 Storage temperature -4 to 140°F, -20 to 60°C
 Humidity 10 to 95% RH, non-condensing

Enclosure:

Material Die-cast aluminum
 Diameter \times height (maximum)
 SF series, flush mount \varnothing 2.9 \times 1.6 inches, 75 \times 40 mm
 SG series, surface mount \varnothing 2.0 \times 1.6 inches, 50 \times 40 mm
 Weight 7 oz, 200 gm