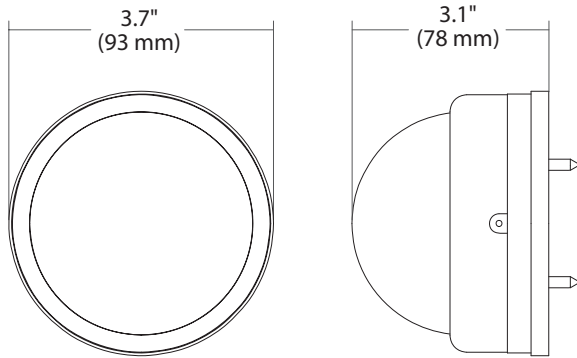


Technical Specifications SJ Dome Series

Compact and vandal-resistant, Seon's SJ Dome camera is designed to meet the specific needs of mobile applications. The flexibility of the SJ allows for the easy adjustment of the camera lens to include different parts of the bus. This camera provides color images in normal lighting, and switches to black and white in low-light conditions.

- Features a high resolution 540 TVL day/night sensor for sharp images day and night.
- Performs with a variety of lens: 2.9, 3.6, 6.0, 8.0, 12.0, 16.0 mm for wide angle to telephoto coverage.
- Provides anti-glare protection and scratch-resistance.
- Delivers a robust metal housing to increase vandal-resistance.
- Sensitive to infrared light for improved night vision.
- Includes a high fidelity microphone to enable audio recording.



Specifications

SJ8 Dome	
Horizontal resolution	540 TV Lines
Sensitivity	-45 dB
Camera Sensitivity	0.1 lux at F2.0 (B&W, D/N)
Audio	
Microphone	High-quality, mechanically isolated
Frequency Response	200 Hz to 5 kHz (filtered to improve voice response)
Audio Output	Line level
Electrical	
Power Consumption	2.3 W
Voltage Range	11 to 17 VDC (powered by DVR)
Transient Protection	1.5 kW
Minimum Load	600 ohm
Mechanical/General	
Enclosure Material	Solid aluminum alloy
Dome	Impact-resistant polycarbonate, anti-glare, scratch-resistant hard coating, UV protected
Dimensions	Height 3.1" (78 mm); dome diameter 3.7" (93 mm)
Weight	0.8 lbs (0.3 kg)
Environmental	
Environmental Rating	Indoor IP54
Operating Temperature	-4 to 140°F (-20 to 60°C)
Approvals	
Emissions	FCC
Safety	UL

Available Lenses					
Code	Size (mm)	F-stop	Viewing Angle (v)	Viewing Angle (h)	
03	2.97	2.0	67°	90°	
04	3.6	2.0	55°	74°	
06	6.0	2.0	32°	42°	
08	8.0	2.0	24°	32°	
12	12.0	2.0	17°	22°	
16	16.0	2.0	11°	15°	

How to order

